

Patons®
Classic Wool
Patons
DECOR



HEPBURN CARDIGAN

SIZES

Bust measurement

Small 30-32ins [76-81 cm]

Medium 34-36ins [86-91 cm]

Large 38-40ins [97-102 cm]

Finished bust

Small 42 ins [106.5 cm]

Medium 44 ins [112 cm]

Large 47 ins [119.5 cm]

MATERIALS

Patons Classic Wool (100 g/3.5 oz)
 or **Patons Décor** (100 g/3.5 oz)

Size	S	M	L	
	8	9	10	balls

Sizes 4 mm (U.S. 6) and 4.5 mm (U.S. 7) knitting needles **or size needed to obtain tension.** 5 st holders. 7 buttons. 1 cable needle.

TENSION

22 sts and 30 rows = 4 ins [10 cm] with larger needles in pat.

ABBREVIATIONS

yf = bring yarn in front.

yb = bring yarn in back.

C4F = slip next 2 sts onto a cable needle and leave at front of work. K2, then K2 from cable needle.

INSTRUCTIONS

The instructions are written for smallest size. If changes are necessary for larger sizes the instructions will be written thus ().

BACK

With smaller needles, cast on 114 (**122-130**) sts.

****1st row:** (RS). K2. *P2. K2. Rep from * to end of row.

2nd row: P2. *K2. P2. Rep from * to end of row.**

Work in (K2. P2) ribbing for 2 ins [5 cm] inc 2 (**0-0**) sts evenly across last row and ending with RS facing for next row. 116 (**122-130**) sts.

Change to larger needles and work Chart to end of chart reading **RS** rows from **right** to left and **WS** rows from **left** to right. 1st to 6th rows of Chart form pat.

Cont working in pat until work from beg measures 17 (**17½-18**) ins [43 (**44.5-45.5**) cm] ending with RS facing for next row.

Armhole shaping: Cont working in pat, cast off 5 sts beg next 2 rows. 106 (**112-120**) sts.

Cont even in pat until armhole measures 10 (**10-11**) ins [25.5 (**25.5-28**) cm] ending with RS facing for next row.



ABBREVIATIONS: www.patonsyarns.com/glossary

Patons®

... a part of your life.

P.O. Box 40, Listowel ON N4W 3H3

Shoulder shaping: Cast off 36 (37-40) sts beg next 2 rows. Leave rem 34 (38-40) sts on a st holder.

Pocket Lining (Make 2).

With larger needles, cast on 20 sts and work 5 ins [12.5 cm] in stocking st, ending with RS facing for next row and dec 2 sts evenly across last row.

Leave these 18 sts on a st holder.

LEFT FRONT

***With MC and smaller needles, cast on 54 (58-62) sts. Work in (K2. P2) ribbing as given for Back for 2 ins [5 cm] inc 3 (2-2) sts across last row ending with RS facing for next row. 57 (60-64) sts.

Change to larger needles and proceed in pat until work from beg measures 6½ ins [16.5 cm] ending with RS facing for next row.***

Pocket placement: Next row:

Pat across 27 (30-34) sts. Slip next 18 sts onto a st holder. Pat across 18 sts from pocket lining. Pat to end of row.

Cont in pat until work from beg measures same length as for Back to armhole shaping ending with RS facing for next row.

Armhole shaping: Cast off 5

sts. Pat to end of row. 52 (55-59) sts.

Cont even in pat until armhole measures 7 (7-7½) ins [18 (18-19) cm] ending with **WS** facing for next row.

Neck shaping: Next row: Pat

8 (9-9) sts. Slip these 8 (9-9) sts onto a st holder. P2tog (neck edge). Pat to end of row.

Dec 1 st at neck edge on next 5 rows, then every alt row to 36 (37-40) sts.

Cont even in pat until work from beg measures same length as for Back before shoulder, ending with RS facing for next row. Cast off.

RIGHT FRONT

Work from *** to *** as given for Left Front.

Pocket placement: Next row:

Pat across 12 sts. Slip next 18 sts onto a st holder. Pat across 18 sts from pocket lining. Pat to end of row.

Cont in pat until work from beg measures same length as for Back to armhole shaping ending with **WS** facing for next row.

Armhole shaping: Cast off 5

sts. Pat to end of row. 52 (55-59) sts.

Cont even in pat until armhole measures 7 (7-7½) ins [18 (18-19) cm] ending with RS facing for next row.

Neck shaping: Next row: Pat

8 (9-9) sts. Slip these 8 (9-9) sts onto a st holder (neck edge). Sl1. K1. pss0. Pat to end of row.

Work 1 row even.

Dec 1 st at neck edge on next 5 rows, then every alt row to 36 (37-40) sts.

Cont even in pat until work from beg measures same length as for Back before shoulder, ending with **WS** facing for next row. Cast off.

SLEEVES

With MC and smaller needles, cast on 54 sts.

Work in (K2. P2) ribbing as given for Back for 2 ins [5 cm] inc 8 sts evenly across last row ending with RS facing for next row. 62 sts.

Change to larger needles and work in pat, inc 1 st each end of needle on 3rd and every following 4th rows until there are 82 (80-100) sts, then every 6th row to 110 (110-120) sts, taking inc sts into pat.

Cont even in pat until Sleeve from beg measures 18 (19-19½) ins [45.5 (48-49.5) cm] ending with RS facing for next row. Cast off.

Place markers on side edges 1 inch [2.5 cm] below cast off edge.

FINISHING

Pin garment pieces to measurements and cover with a damp cloth leaving to dry.

Buttonhole Band: With RS of work facing and smaller needles, pick up and knit 138 (142-146) sts along right front edge between cast on edge and neck edge.

Beg with 2nd row, work 3 rows in (K2. P2) ribbing as given for Back.

4th row: (RS). Rib 5 (4-3) sts. *yfwd. K2tog. Rib 19 (20-21). Rep from * 5 times more. yfwd. K2tog. Rib to end of row.

Work 3 rows in (K2. P2) ribbing, ending with RS facing for next row. Cast off in ribbing.

Button Band: Work to correspond to buttonhole band omitting all reference to buttonholes.

Collar: Sew shoulder seams. With RS of work facing and smaller needles beg at center of top edge of Buttonhole Band, pick up and knit 4 sts. K8 (9-9) from right front st holder. Pick up and knit 16 (17-20) sts up right front neck edge. K34 (38-40) from back st holder. Pick up and knit 16 (17-20) sts down left front neck edge. K8 (9-9) from left front st holder. Pick up and knit 4 sts to center of top edge of Button Band. 90 (98-106) sts. Beg with 2nd row, work 1 row in (K2. P2) ribbing as given for Back.

Proceed as follows:

1st row: (RS). (P2. K2) 16 (17-18) times. yb. Sl1. yf. Slip st back onto left hand needle.

Turn.

2nd row: P2. (K2. P2) 8 (9-10) times. yb. Sl1. yf. Slip st back onto left hand needle. **Turn.**

3rd row: K2. (P2. K2) 7 (8-9) times. yb. Sl1. yf. Slip st back onto left hand needle. **Turn.**

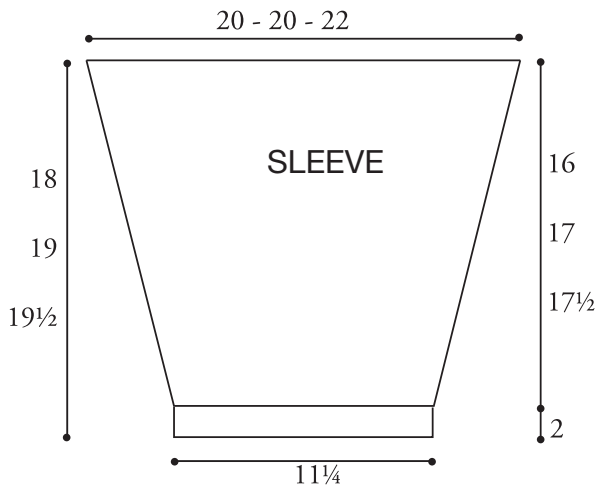
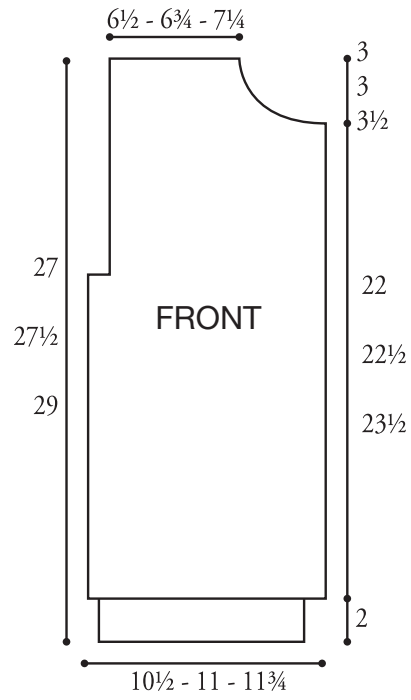
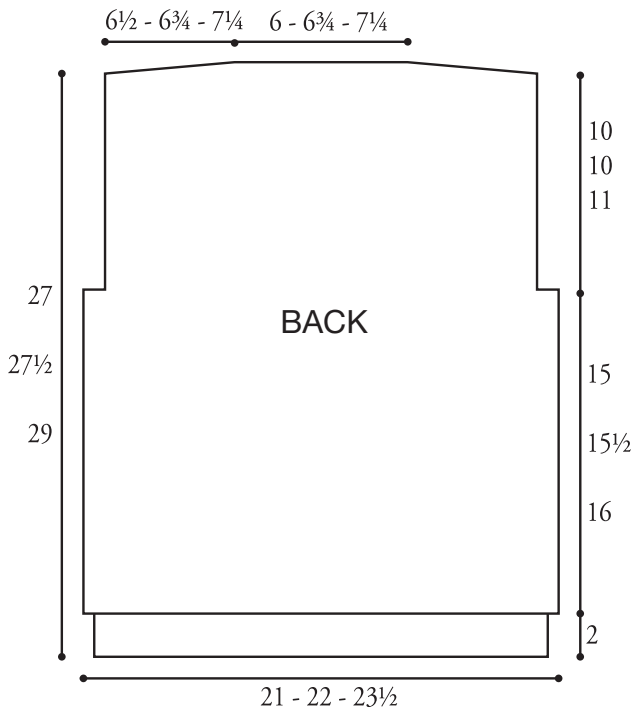
4th row: P2. (K2. P2) 6 (7-8) times. yb. Sl1. yf. Slip st back onto left hand needle. **Turn.**

5th row: Rib to end of row.

Work in (K2. P2) ribbing evenly until collar from pick up row measures 6 ins [15 cm] ending on a 1st row. Cast off in ribbing.

Pocket edging: With RS of work facing and smaller needles, work in (K2. P2) ribbing across 18 sts from pocket st holder.

Beg on a 2nd row, work 3 rows in (K2. P2) ribbing as given for Back cast off in ribbing. Sew pocket edging in position on WS. Sew in sleeves placing rows above markers along cast off sts at armholes to form square armholes. Sew side and sleeve seams.



Key

= Knit on RS rows, purl on WS rows.

= Purl on RS rows, knit on WS rows.

= C4F

CHART

