

 **Patons**
Classic Wool

 **Patons**
DECOR



LADIES CUDDLY CABLES CARDIGAN

SIZES

Bust measurement

Small	30-32 ins	[76-81 cm]
Medium	34-36 ins	[86-91 cm]
Large/X-Large	38-44 ins	[97-112 cm]

Finished bust

Small	38 ins	[96.5 cm]
Medium	41 ins	[104 cm]
Large/X-Large	50 ins	[127 cm]

MATERIALS

Patons Classic Wool (100 g/3.5 oz)
or **Patons Décor** (100 g/3.5 oz)

Size	S	M	L	
	10	11	11	balls

Sizes 3.75 mm (U.S. 5) and 4.5 mm (U.S. 7) knitting needles or size needed to obtain tension. Cable needle. 5 buttons

TENSION

20 sts and 26 rows = 4 ins [10 cm] in stocking st.

ABBREVIATIONS

C6B = slip next 3 sts onto a cable needle and leave at back of work. K3, then K3 from cable needle.

C6F = slip next 3 sts onto a cable needle and leave at front of work. K3, then K3 from cable needle.

INSTRUCTIONS

The instructions are written for smallest size. If changes are necessary for larger sizes the instructions will be written thus ().

BACK

With smaller needles, cast on 98 (128-158) sts. Work 9 rows garter st (knit every row) noting that first row is WS, and inc 25 sts evenly across last row. 123 (153-183) sts.

Change to larger needles and proceed as follows:

1st row: (RS). Knit.

2nd row: K3. *P12. K3. Rep from * to end of row.

3rd and 4th rows: As 1st and 2nd rows once.

5th row: K3. *C6B. C6F. K3. Rep from * to end of row.

6th row: As 2nd row.

7th and 8th rows: As 1st and 2nd rows once.

These 8 rows form pat.

Cont in pat until work from beg measures 17½ (18-18½) ins [44.5 (46-47) cm] ending with RS facing for next row.

Armhole shaping: Keeping cont of pat, cast off 9 sts beg next 2 rows. 105 (135-165) sts.

Cont in pat until work from beg measures 26½ (27½-28½) ins [67.5 (70-72.5) cm], ending with RS facing for next row.

Next row: Cast off 29 (39-51) sts beg next 2 rows. Leave rem 47 (57-63) sts on a st holder.



ABBREVIATIONS: www.patonsyarns.com/glossary

LEFT FRONT

With smaller needles, cast on 68 (68-80) sts. Work 9 rows garter st, noting that 1st row is WS, and inc 12 (12-15) sts evenly across last row. 80 (80-95) sts.

Change to larger needles and proceed as follows:

1st row: (RS). Knit.

2nd row: K5. *P12. K3. Rep from * to end of row.

3rd and 4th rows: As 1st and 2nd rows once more.

5th row: *K3. C6B. C6F. Rep from * to last 5 sts. K5.

6th row: As 2nd row.

7th and 8th rows: As 1st and 2nd rows once more.

These 8 rows form pat.

Cont in pat until work from beg measures 17½ (18-18½) ins [44.5 (46-47) cm] ending with RS facing for next row.

Armhole shaping: Keeping cont of pat, cast off 9 sts beg next row. 71 (71-86) sts.

Cont in pat until work from beg measures 24 (25-26) ins [61 (63.5-66) cm], ending with **WS** facing for next row.

Neck shaping: Next row: Cast off 20 (18-18) sts (neck edge). Pat to end of row.

Keeping cont of pat, dec 1 st at neck edge on next 11 rows, then every alt row until there are 29 (39-51) sts.

Cont even until work from beg measures same length as Back to shoulder, ending with RS facing for next row. Cast off.

Place markers for 5 buttons along button band on Left front, having top button ½ inch [1 cm] down from neck shaping and bottom button ½ inch [1 cm] above cast on edge.

Buttonholes are worked on Right Front as follows:

Next row: (RS). K2. Cast off 2 sts. K1. Pat to end of row.

Next row: Work in pat, casting on 2 sts over cast off sts.

RIGHT FRONT

With smaller needles, cast on 68 (68-80) sts. Knit 5 rows (garter st) noting that first row is WS.

Next row: (RS). K2. Cast off 2 sts. Knit to end of row.

Next row: Knit, casting on 2 sts over cast off sts.

Work a further 2 rows garter st, inc 12 (12-15) sts evenly across last row. 80 (80-95) sts.

Change to larger needles and proceed as follows:

1st row: (RS). Knit.

2nd row: *K3. P12. Rep from * to last 5 sts. K5

3rd and 4th rows: As 1st and 2nd rows once.

5th row: K5. *C6B. C6F. K3. Rep from * to end.

6th row: As 2nd row.

7th and 8th rows: As 1st and 2nd rows once.

These 8 rows form pat.

Cont in pat until work from beg measures 17½ (18-18½) ins [44.5 (45.5-47) cm] ending with **WS** facing for next row.

Armhole shaping: Keeping cont of pat, cast off 9 sts beg next row. 56 (56-71) sts.

Cont in pat until work from beg measures 24 (25-26) ins [61 (63.5-66) cm], ending with RS facing for next row.

Neck shaping: Next row: Cast off 20 (18-18) sts (neck edge). Pat to end of row.

Keeping cont of pat, dec 1 st at neck edge on next 11 rows, then every alt row until there are 29 (39-51) sts.

Cont even until work from beg measures same length as Back to shoulder, ending with **WS** facing for next row. Cast off.

SLEEVES

With smaller needles, cast on 51 sts. Knit 9 rows (garter st), noting that 1st row is WS row, and inc 27 sts evenly across last row. 78 sts.

Change to larger needles and proceed in pat as given for Back, inc 1 st at each end of needle on next and following 4th row to 100 (126-128) sts, then every 6th row to 134 (142-150) sts, taking inc sts into pat until you have 8 complete cable reps, then taking inc sts into garter st.

Cont even until work from beg measures 21½ ins [54.5 cm] ending with RS facing for next row. Cast off.

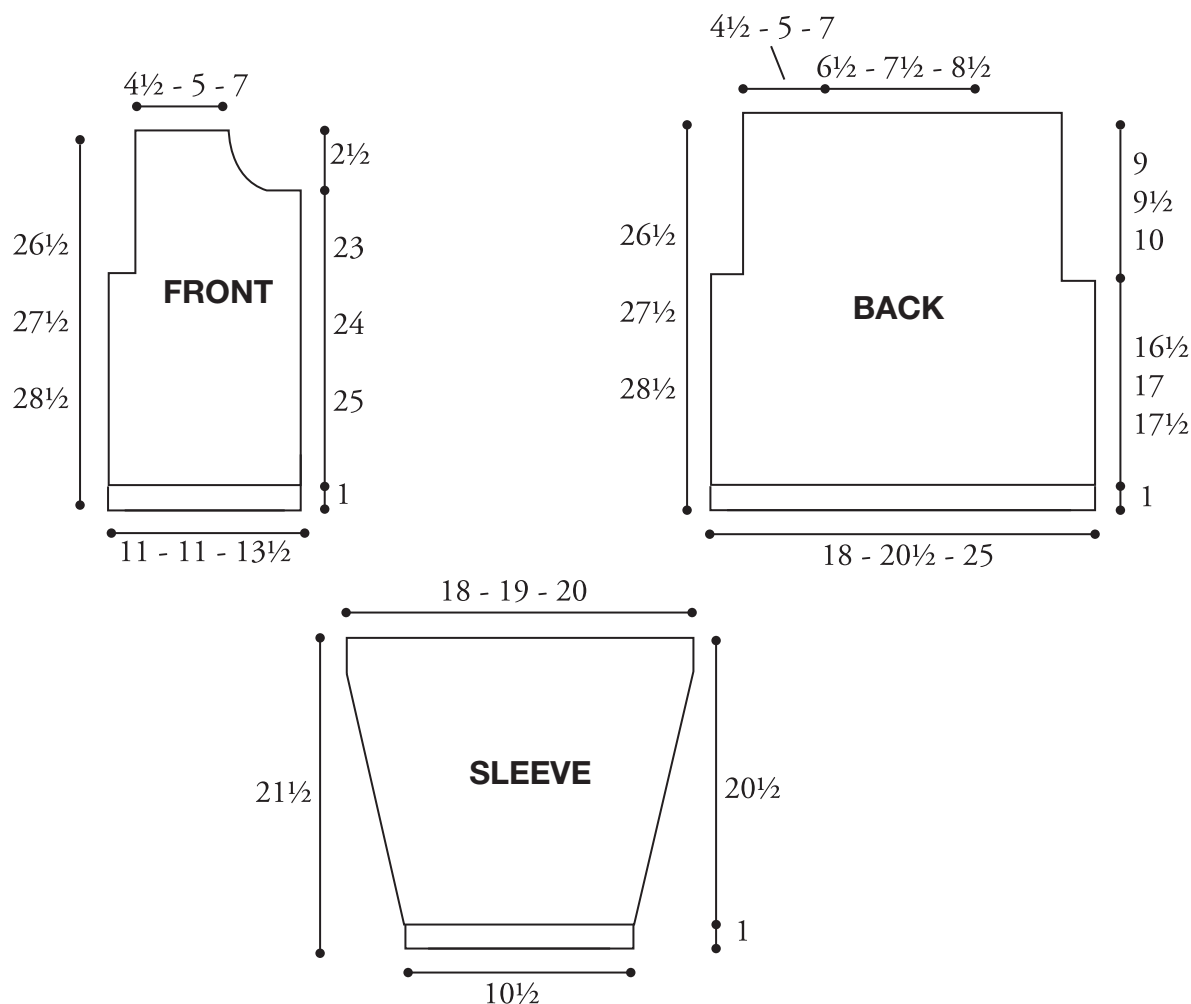
FINISHING

Pin to measurements and cover with a damp cloth, leaving to dry.

Collar: Sew shoulder seams. With RS of work facing and smaller needles, pick up and knit 30 (32-34) sts up right front neck edge, beg at center of button band. Knit across 47 (57-63) sts from back st holder, dec 7 sts evenly across. Pick up and knit 30 (32-34) sts down left front neck edge, ending at center of button band. 100 (114-124) sts.

Work in garter st until collar from beg measures 3 ins [7.5 cm] ending with RS facing for next row. Cast off.

Place markers 1½ ins [4 cm] down from cast off edge at each side of sleeve. Sew in sleeves, placing rows above markers between cast off sts at Front and Back armholes to form square armholes. Sew side and sleeve seams. Sew buttons on button band to correspond to buttonholes.



Patons

... a part of your life.

P.O. Box 40, Listowel ON N4W 3H3