



KNIT | SKILL LEVEL: EASY

ABBREVIATIONS

Approx =

Approximately

Beg = Beginning

Cont = Continue(ity)

Dec = Decrease

Inc = Increase

K = Knit

K2(3)tog = Knit next 2(3) stitches together

MB (Make Bobble)

= [(K1. yo) twice. K1] all in next stitch.

5 sts. **Turn.** P5. **Turn.**

K5. **Turn.** P2tog. P1.

P2togtbl. 3 sts. **Turn.**

Sl1. K2tog. pssso.

1 st remains. Bobble complete. Push Bobble to RS of work.

P = Purl

P2togtbl = Purl next

2 stitches together

through back loops.

Pat = Pattern

Pssso = Pass slipped

stitch over

Rem = Remaining

Rep = Repeat

RS = Right side

Sl1 = Slip next stitch knitwise

Ss(s)k = Slip next 2(3)

stitches knitwise one

at a time. Pass them

back onto left-hand

needle, then knit

through back loops

together

St(s) = Stitch(es)

Tog = Together

WS = Wrong side

Yo = Yarn over

MATERIALS

Sizes 6 12 18 24 mos

Bernat® Softee® Baby Cotton™ (4.2 oz/120 g; 254 yds/232 m)

Main Color (MC) Feather Gray (52003) 1 2 2 2 ball(s)

Bernat® Softee® Cotton™ (4.2 oz/120 g; 254 yds/232 m)

Contrast A Pool Green (69010) 1 1 1 1 ball

Sizes U.S. 5 (3.75 mm) and U.S. 6 (4 mm) knitting needles **or sizes needed to obtain gauge.** Yarn needle. 5 stitch holders. 3 locking stitch markers.

SIZES

To fit chest measurement

6 mos 17" [43 cm]

12 mos 18" [45.5 cm]

18 mos 19" [48.5 cm]

24 mos 20" [51 cm]

Finished chest measurement

6 mos 19½" [49.5 cm]

12 mos 21" [53.5 cm]

18 mos 22" [56 cm]

24 mos 23" [58.5 cm]

GAUGE

22 sts and 28 rows = 4" [10 cm] in stocking st with larger needles.

INSTRUCTIONS

The instructions are written for smallest size. If changes are necessary for larger sizes the instructions will be written thus (). Numbers for each size are shown in the same color throughout the pattern. When only one number is given in black, it applies to all sizes.

BACK

With MC and smaller needles, cast on **53** (57-59-63) sts.

1st row: (RS). K1. *P1. K1. Rep from * to end of row.

2nd row: P1. *K1. P1. Rep from * to end of row.

Rep last 2 rows of (K1. P1) ribbing 4 times more, inc 1 st at center of last row and ending on a WS row. 10 rows total of ribbing. **54** (58-60-64) sts.

Change to larger needles and proceed as follows:

With A, work 2 rows in stocking st. With MC, work 10 rows in stocking st.

Last 12 rows form Stripe Pat.

Cont in Stripe Pat until work from beg measures **7** (7½-8½-9)" [**18** (19-21.5-23) cm], ending on a purl row.

Shape raglans: Keeping cont of Stripe Pat, cast off 3 sts beg next 2 rows. **48** (52-54-58) sts.

Next row: (RS). K1. K2tog. Knit to last 3 sts. ssk. K1.

Next row: Purl.

Rep last 2 rows **11** (13-13-15) times more. **24** (24-26-26) sts.

Next row: (RS). K1. (K2tog) twice. Knit to last 5 sts. (ssk) twice. K1.

20 (20-22-22) sts.

Next row: Purl. Leave rem sts on a st holder.

LEFT FRONT

With MC and smaller needles, cast on **33 (35-35-37) sts.

Work 6 rows in (K1. P1) ribbing as given for Back, ending on a WS row.**

7th row: (RS - Buttonhole row). Rib to last 5 sts. Cast off 2 sts. Rib 3 sts (including st on needle after cast-off).

8th row: Work in ribbing, casting on 2 sts over cast off sts.

9th and 10th rows: Work in ribbing, inc 1 st at center of last row. **34** (36-36-38) sts.

Change to larger needles and beg on a knit row, proceed in Stripe Pat as follows:

Next row: With A, knit to last 7 sts.

Turn. Leave rem 7 sts on st holder for Front Band. **27** (29-29-31) sts.

Cont in Stripe Pat until work from beg measures **7** (7½-8½-9)" [**18** (19-21.5-23) cm], ending on same row of Stripe Pat as Back to beg of raglan shaping.

Shape raglan: 1st row: (RS). Cast off 3 sts. Knit to end of row. **24** (26-26-28) sts.

2nd row: Purl.

3rd row: K1. K2tog. Knit to end of row.

4th row: Purl.

Rep last 2 rows **7** (9-9-11) times more. 16 sts.

Shape neck: 1st row: (RS). K1. K2tog. Knit to last 7 sts. **Turn.** Leave rem 7 sts on a st holder. 8 sts.

2nd row: Purl.

3rd row: K1. K2tog. Knit to last 2 sts (neck edge). K2tog.

4th row: Purl.

Rep last 2 rows twice more. 2 sts.

Next row: K2tog. 1 st. Fasten off.

RIGHT FRONT

Work from ** to ** as given for Left Front.

7th row: (RS – Bobble button row). K1. P1. K1. MB. Rib to end of row.

8th to 10th rows: Work in ribbing, inc 1 st at center of last row. **34** (36-36-38) sts.

Next row: Rib 7 sts. Slip these 7 sts onto a st holder for Front Band.

Change to larger needles and with A, knit to end of row. **27** (29-29-31) sts.

Cont in Stripe Pat until work from beg measures **7** (7½-8½-9)" [**18** (19-21.5-23) cm], ending on same row of Stripe Pat as Back, to beg of raglan shaping (knit row).

Shape raglan: 1st row: (WS). Cast off 3 sts. Purl to end of row. **24** (26-26-28) sts.

2nd row: Knit to last 3 sts. ssk. K1.

3rd row: Purl.

Rep last 2 rows **7** (9-9-11) times more. 16 sts.

Shape neck: 1st row: (RS). K7. Slip these 7 sts onto a st holder (neck edge). Knit to last 3 sts. ssk. K1. 8 sts.
2nd row: Purl.
3rd row: ssk. Knit to last 3 sts. ssk. K1.
4th row: Purl.
 Rep last 2 rows twice more. 2 sts.
Next row: ssk. 1 st. Fasten off.

SLEEVES

With MC and smaller needles, cast on **31 (33-33-35)** sts.
 Work 1½" [4 cm] in (K1. P1) ribbing as given for Back, inc 1 st at center of last row and ending on a WS row. **32 (34-34-36)** sts.

Change to larger needles and beg on a knit row, proceed in Stripe Pat for 4 rows. Inc 1 st each end of needle on next and every following **6th (4th-6th-6th)** row until there are **40 (44-44-48)** sts.

Cont even in pat until work from beg measures approx **7 (7½-8½-9)" [18 (19-21.5-23) cm]**, ending on same row of Stripe Pat as Back to beg of raglan shaping.

Shape raglans: Keeping cont of pat, cast off 3 sts beg next 2 rows. **34 (38-38-42)** sts.
Next row: (RS). K1. K2tog. Knit to last 3 sts. ssk. K1.
Next row: Purl.
 Rep last 2 rows **11 (13-13-15)** times more. 10 sts.

Next row: (RS). K1. K3tog. Knit to last 4 sts. sssk. K1. 6 sts.

Next row: Purl. Leave rem sts on a st holder.

FINISHING

Pin garment pieces to measurements.

Cover with a damp cloth, leaving cloth to dry.

Button band:

Along Right Front edge, mark positions of 3 Bobble buttons, noting 5th Bobble button will be on neckband. Bottom Bobble button is already worked in Right Front Ribbing, and rem 3 Bobble buttons are evenly spaced between.

With RS of work facing, smaller needles and MC, rib 7 sts from Right Front st holder, inc 1 st in last st. 8 sts.

Cont in ribbing, working Bobble buttons to correspond to markers (as before), until band, when slightly stretched, measures length to fit up Front to neck edge, ending with RS facing and sewing band in position as you work. Leave these 8 sts on front neck st holder (15 sts now on holder).

Buttonhole band: Work buttonholes to correspond to Bobble buttons as follows:

Next row: (RS). Rib 3 sts. Cast off 2 sts. Rib to end of row.

Next row: Rib 3 sts. Cast on 2 sts over cast off sts. Rib to end of row.

With RS of work facing, smaller needles and MC, inc 1 st in first st from Left Front st holder. Rib to end of row. 8 sts.

Cont in ribbing, working buttonholes to correspond to Bobble buttons, until band, when slightly stretched, measures length to fit up Front to neck edge, ending with WS facing and sewing band in position as you work. Leave these 8 sts on front neck st holder (15 sts now on holder).

Neckband:

Beg from neck edge down, sew raglan seams with Mattress St, matching stripes.

With RS of work facing, smaller needles and MC, work 15 sts from right front st holder. Pick up and knit 8 sts up right front neck edge. K6 from right sleeve st holder, dec **1 (1-0-0)** st at center. K**20 (20-22-24)** from back st holder, dec 1 st at center. K6 from left sleeve st holder, dec **1 (1-0-0)** st at center. Pick up and knit 8 sts down left front neck edge. Work 15 sts from left front st holder. **75 (75-79-81)** sts.

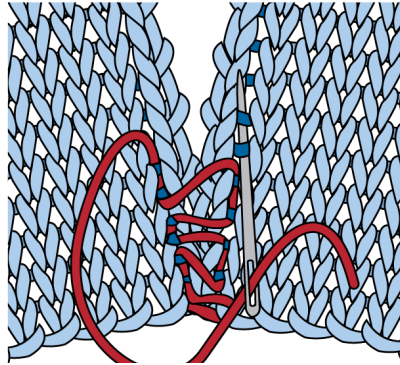
Beg on a 2nd row, work 3 rows in (K1. P1) ribbing as given for Back.

Next row: (RS). (Buttonhole/Bobble button row). K1. P1. K1. MB. Rib to last 5 sts. Cast off 2 sts. Rib to end of row.

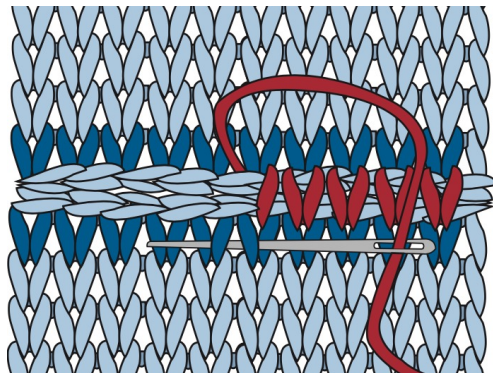
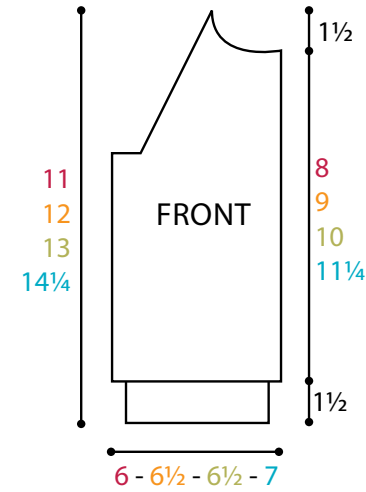
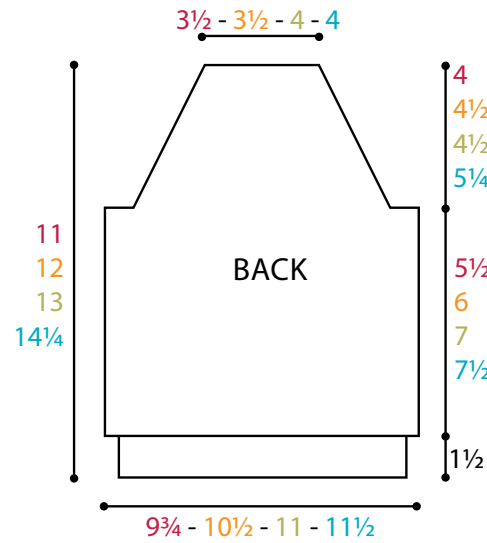
Next row: Rib, casting on 2 sts over cast off sts.

Work 2 rows more in ribbing. Cast off in ribbing (RS).

Sew side and sleeve seams with Mattress St as shown in Diagram.



VERTICAL MATTRESS ST
DIAGRAM



HORIZONTAL MATTRESS ST
DIAGRAM

